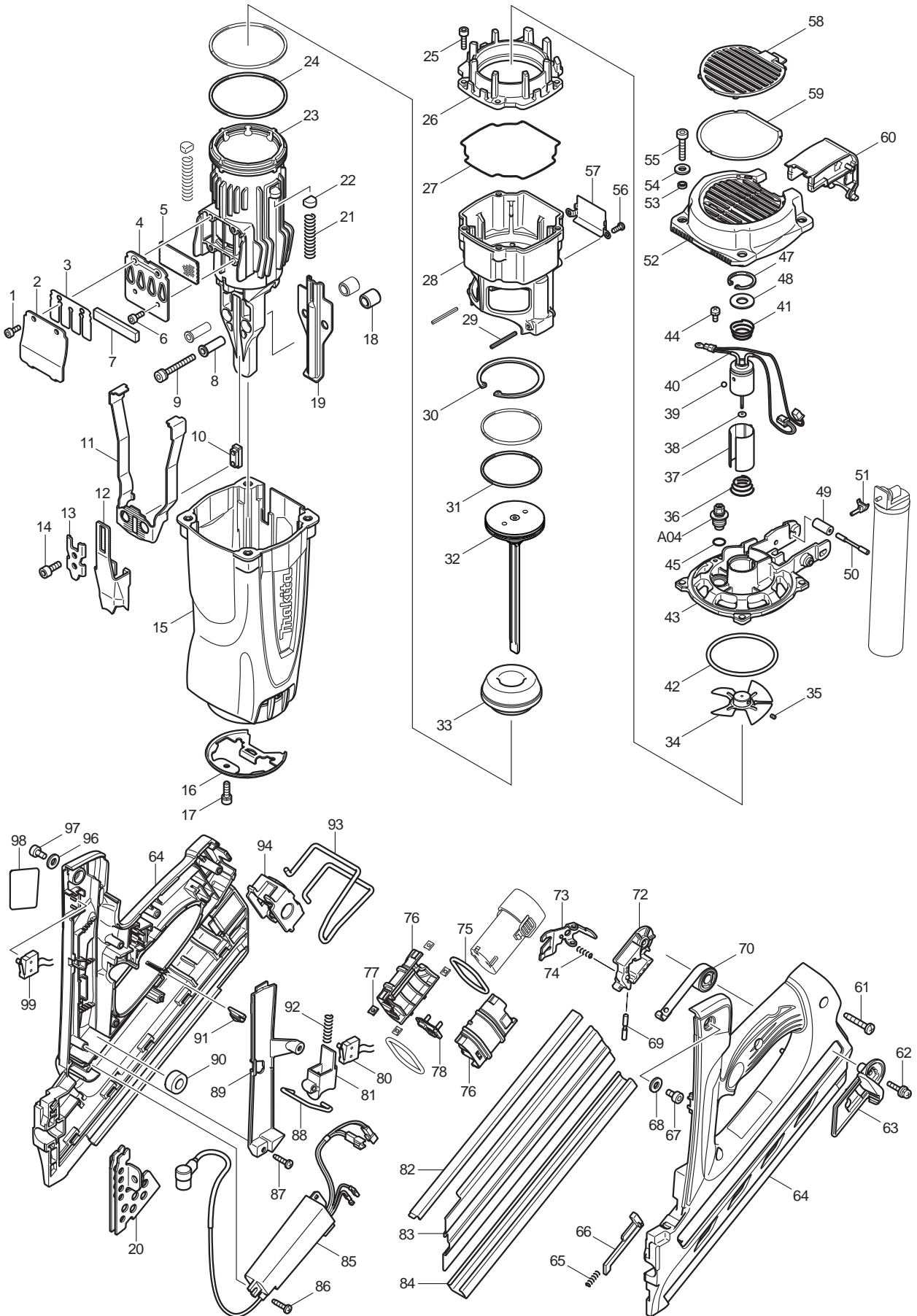




08 - 2010
GN900S / GN900SE
GAS FRAMING NAILER



Item No	Type	Ref	Part No	Description	Qty	Unit
1			922112-8	HEX. SOCKET HEAD BOLT M4X10	2	PC.
2			345984-8	EXHAUST COVER	1	PC.
3			345982-2	EXHAUST VALVE	1	PC.
4			345983-0	EXHAUST PLATE	1	PC.
5			352008-3	PUNCHING METAL	1	PC.
6			922112-8	HEX. SOCKET HEAD BOLT M4X10	2	PC.
7			352009-1	SILENCER	1	PC.
8			325711-9	SLEEVE 5	2	PC.
9	1		265562-7	* HEX SOCKET HEAD BOLT M5X35	2	PC.
	2		266620-2	* HEX SOCKET HEAD BOLT M5X35	2	PC.
10			313157-1	ARM CONNECTOR	1	PC.
11			345987-2	ARM	1	PC.
12			345990-3	CONTACT TOP	1	PC.
13			345991-1	ARM PLATE	1	PC.
14			922207-7	HEX. SOCKET HEAD BOLT M5X10	2	PC.
15			450729-2	HOUSING	1	PC.
16			346008-3	FRONT PLATE	1	PC.
17			266086-6	HEX. SOCKET HEAD BOLT M5X16	3	PC.
18			257784-3	SLEEVE 8	2	PC.
19			346124-1	DRIVER GUIDE PLATE	1	PC.
20	1		346006-7	* UNDER DRIVER GUIDE - N/L/A	1	PC.
	2		346357-8	* UNDER DRIVER GUIDE	1	PC.
21			234127-6	COMPRESSION SPRING 8	2	PC.
22			424138-1	STOP RUBBER	2	PC.
23			318496-4	CYLINDER	1	PC.
24			324973-6	CYLINDER RING	2	PC.
25			922127-5	HEX. SOCKET HEAD BOLT M4X16	4	PC.
26			318322-7	CHAMBER TOP	1	PC.
27			424139-9	CHAMBER SEAL RING	1	PC.
28			318320-1	CHAMBER	1	PC.
29			951078-5	SPRING PIN	2	PC.
30			962254-6	RETAINING RING (INT) R-58	1	PC.
31			324972-8	PISTON RING	2	PC.
32			158840-1	DRIVER COMPLETE	1	PC.
33			424137-3	FRONT CUSHION	1	PC.
34			241674-0	FAN 60	1	PC.
35			913904-6	SET SCREW (CUP POINT) M3X4	1	PC.
36			233969-5	C COMPRESSION SPRING 12-18	1	PC.
37	1		450737-3	MOTOR SLEEVE	1	PC.
	2		454002-2	MOTOR SLEEVE	1	PC.
38			261141-9	EPOXY WASHER 2	1	PC.
39			216019-1	STEEL BALL 3	1	PC.
40			629860-7	DC MOTOR	1	PC.
41			233969-5	C COMPRESSION SPRING 12-18	1	PC.
42	1		213677-4	O-RING 60	1	PC.
	2		213679-0	O-RING 60 (W/ COLD REGISTANT)	1	PC.
43			318321-9	CYLINDER HEAD	1	PC.
44			652014-1	PAN HEAD SCREW M4X8	1	PC.
45			213070-2	O RING 10	1	PC.
47			962103-7	RETAINING RING R-24	1	PC.
48			253024-7	FLAT WASHER 10	1	PC.
49			422044-4	RUBBER SLEEVE 9	1	PC.
50			324976-0	SHOULDER PIN 4	1	PC.
51	1		450731-5	STEM ADAPTER	1	PC.
	2		454003-0	STEM ADAPTER	1	PC.
52			450730-7	TOP CAP	1	PC.
53			257672-4	SLEEVE 5	4	PC.
54			941101-4	FLAT WASHER 5 (Outer diameter 12mm)	4	PC.

Item No	Type	Ref	Part No	Description	Qty	Unit
55			922242-5	HEX. SOCKET HEAD BOLT M5X25	4	PC.
56			265069-3	+PAN HEAD SCREW M4X10	2	PC.
57			345985-6	TRIGGER LOCK PLATE	1	PC.
58			450733-1	FILTER COVER	1	PC.
59			162270-0	FILTER	1	PC.
60	1		450732-3	ACTUATER	1	PC.
	2		454202-4	ACTUATER	1	PC.
61			266041-8	TAPPING SCREW 5X25	3	PC.
62			911138-5	PAN HEAD SCREW M4X20	1	PC.
63			450735-7	PUSHER LEVER	1	PC.
64			188626-9	HANDLE SET	1	SET
		INC.	808225-8	LED INDICATION LABEL	1	PC.
		INC.	810460-6	CAUTION LABEL	1	PC.
65			233054-4	COMPRESSION SPRING 4	1	PC.
66			310289-5	LOCK BAR	1	PC.
67			265907-9	HEX. SOCKET HEAD BOLT M5X10	1	PC.
68	1		941101-4	* FLAT WASHER 5 (Outer diameter 12mm)	1	PC.
	2		941102-2	* FLAT WASHER 5 (Outer diameter 10mm)	1	PC.
69			324977-8	SHOULDER PIN 4	1	PC.
70			158791-8	SPIRAL SPRING COMPLETE	1	PC.
72			450734-9	PUSHER HOLDER	1	PC.
73			345992-9	PUSHER	1	PC.
74			234084-8	COMPRESSION SPRING 3	1	PC.
75			424152-7	RUBBER RING 40	2	PC.
76			188598-8	BATTERY CASE SET	1	PC.
77			345749-8	SET PLATE	4	PC.
78			643817-4	TERMINAL	1	PC.
80			638642-6	SWITCH UNIT	1	PC.
81			450736-5	TRIGGER	1	PC.
82			345988-0	NAIL RAIL	1	PC.
83			345989-8	NAIL PLATE	1	PC.
84			345981-4	MAGAZINE SUPPORTER	1	PC.
85	1		631820-7	SPARK UNIT	1	PC.
	2		620158-5	SPARK UNIT	1	PC.
86			265995-6	TAPPING SCREW 4X18	2	PC.
87			265995-6	TAPPING SCREW 4X18	2	PC.
88			324974-4	CHAMBER LOCK BAR	1	PC.
89			450740-4	LEAD WIRE COVER	1	PC.
90			688131-1	LINE FILTER	1	PC.
91			450741-2	LENZ	1	PC.
92			234113-7	COMPRESSION SPRING 5	1	PC.
93			324953-2	HOOK	1	PC.
94			318338-2	HOOK HOLDER	1	PC.
96	1		941101-4	FLAT WASHER 5 (Outer diameter 12mm)	1	PC.
	2		941102-2	FLAT WASHER 5 (Outer diameter 10mm)	1	PC.
97			265907-9	HEX. SOCKET HEAD BOLT M5X10	1	PC.
98			866161-4	GN900 NAME PLATE	1	PC.
99			638642-6	SWITCH UNIT	1	PC.
100			346358-6	* FRONT SPACER (Added)	1	PC.
ACCESSORIES				- See catalogue or visit www.makita.ca for more optional accessories -		
A01	1		192517-8	SAFETY GOGGLE	1	PC.
	2		195246-2	SAFETY GOGGLE	1	PC.
A02	1		783202-0	* HEX. WRENCH 4 (70mm) (SE until Serial No.14909)	1	PC.
	2		783230-5	* HEX. WRENCH 4 (110mm) (SE from Serial No.14910)	1	PC.
A03			824875-1	PLASTIC CARRYING CASE	1	PC.
		INC.	163455-1	LATCH	2	PC.
A04			162269-5	SPARK PLUG	1	PC.
A05	1		DC07SA	DC07SA BATTERY CHARGER	1	PC.
	2		DC10WB	DC10WB BATTERY CHARGER	1	PC.
A06			194356-2	7.2V LI-ION BATTERY BL7010	1	PC.
A07			194852-0	CLEANING SET	1	SET
A08			242080-2	FUEL CELL - BULK	1	PC.

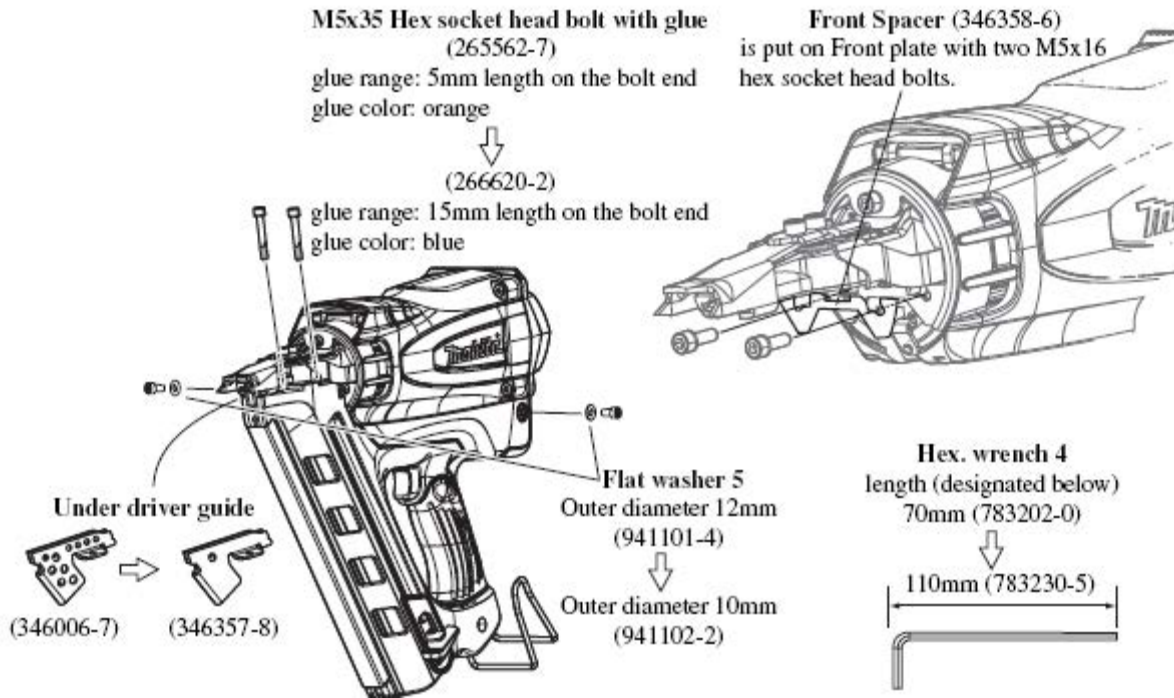
SERVICE CHANGES

1. Addition of Front spacer and Changes on Under driver, H.S.H. Bolt, Flat washer, Hex.Wrench.

Item No.	Description	Type 1	Type 2
100	Front Spacer	-----	346358-6
20	Under Driver Guide	346006-7	346357-8
9	H.S.H.Bolt	265562-7	266620-2
68,96	Flat Washer	941101-4	941102-2
A02	Hex. Wrench 4	783202-0	783230-5

Note: In case of Cylinder head failure, all the following parts have to be replaced.

In case of Under driver guide failure, Under driver guide and two M5x35 Hex socket head bolts have to be replaced.



SERVICE CHANGES

When replacing Trigger (Part No. 450736-5) in repair, be sure to add Lubricant such as a commercial silicon oil/ spray to the specific portions of Trigger before assembly as illustrated below. (Part No. 450736-5 does not have lubricant on the surface. Therefore, the above work is required.) It has been already implemented in assembly lines for the subject model since the serial No. 4026E July 2009.

Trigger (Part No. 450736-5)

